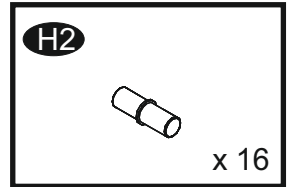
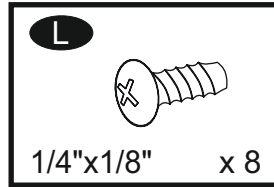
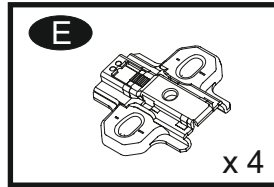
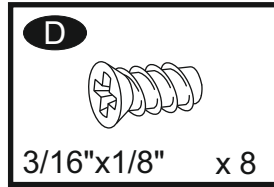
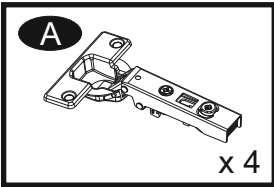
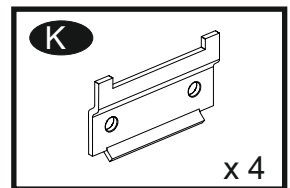
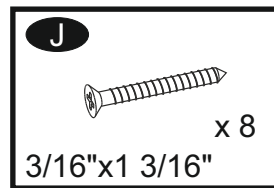
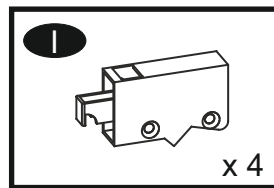
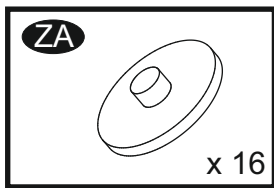
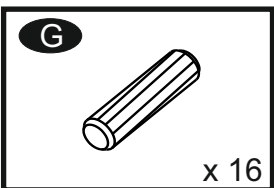
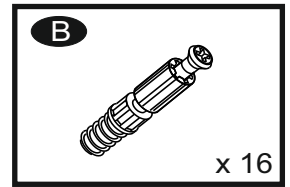
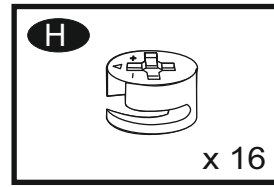
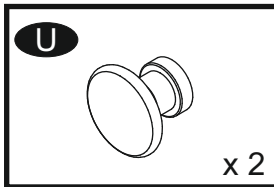
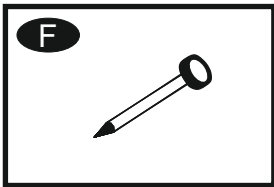
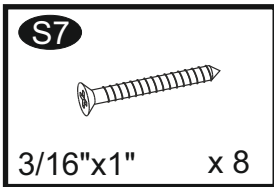
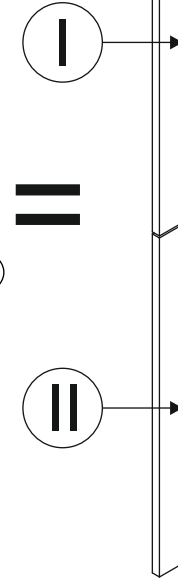
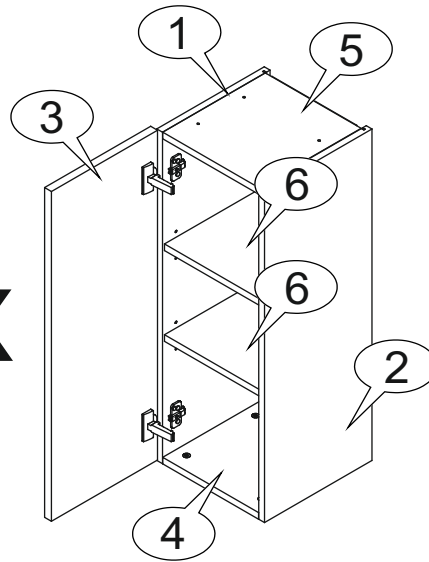
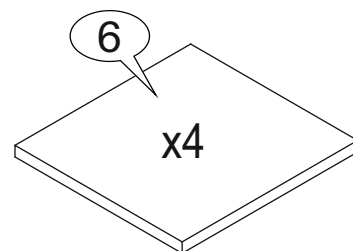
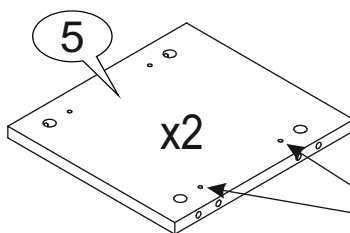
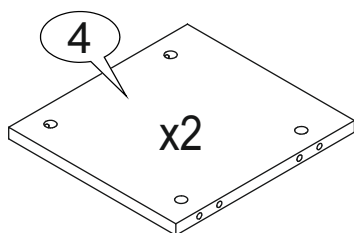
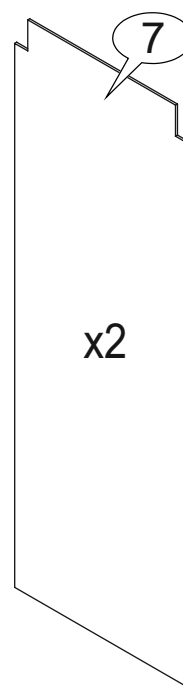
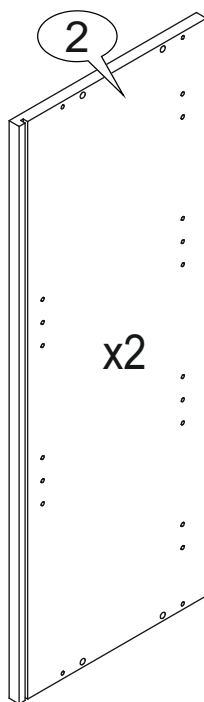
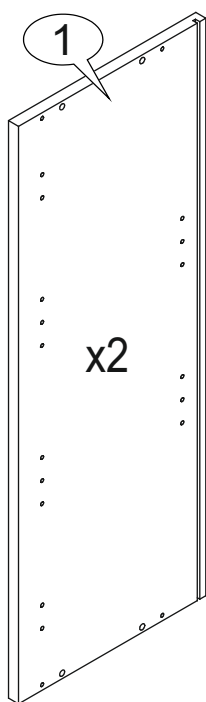
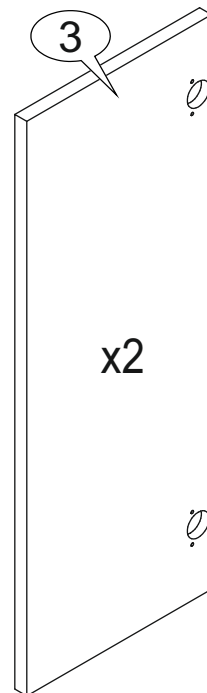
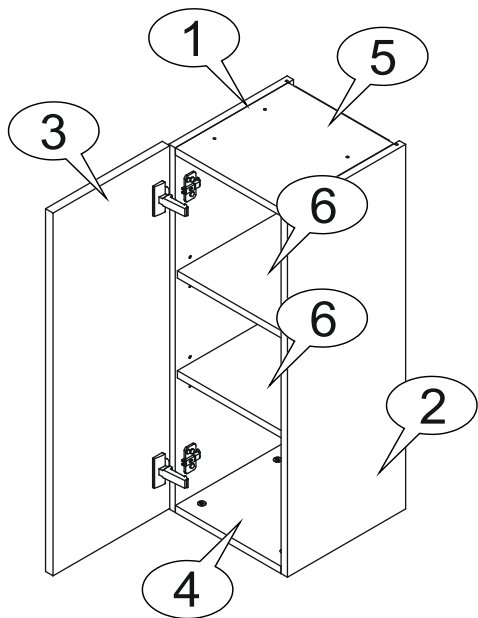


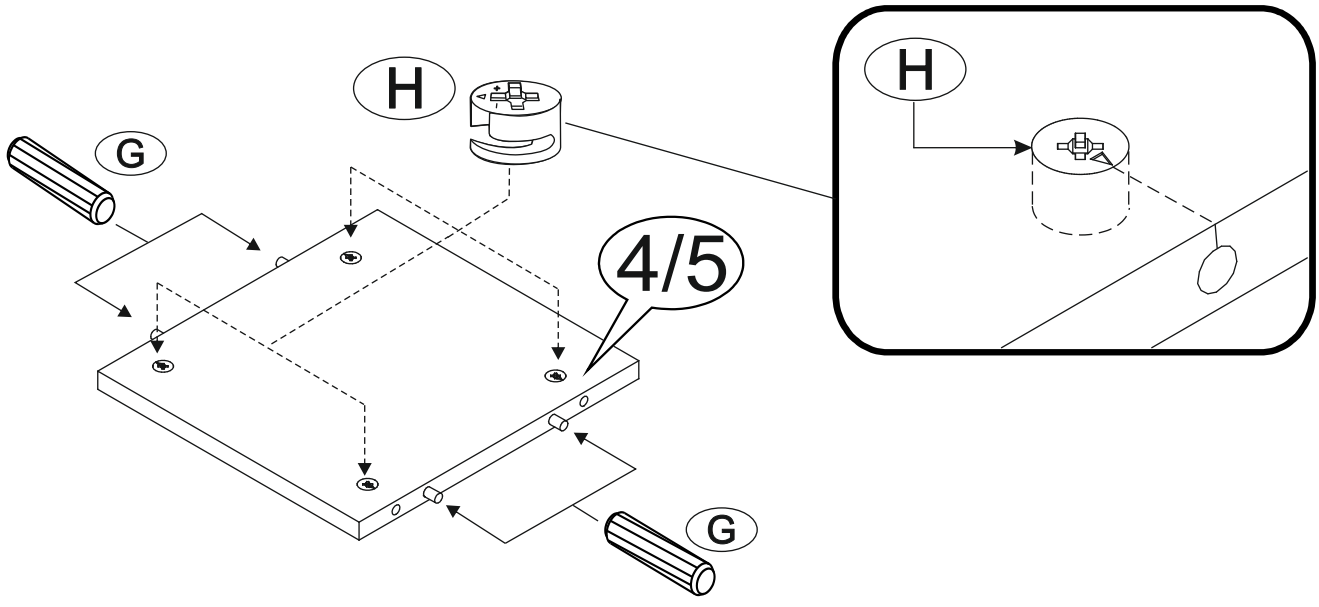
2x



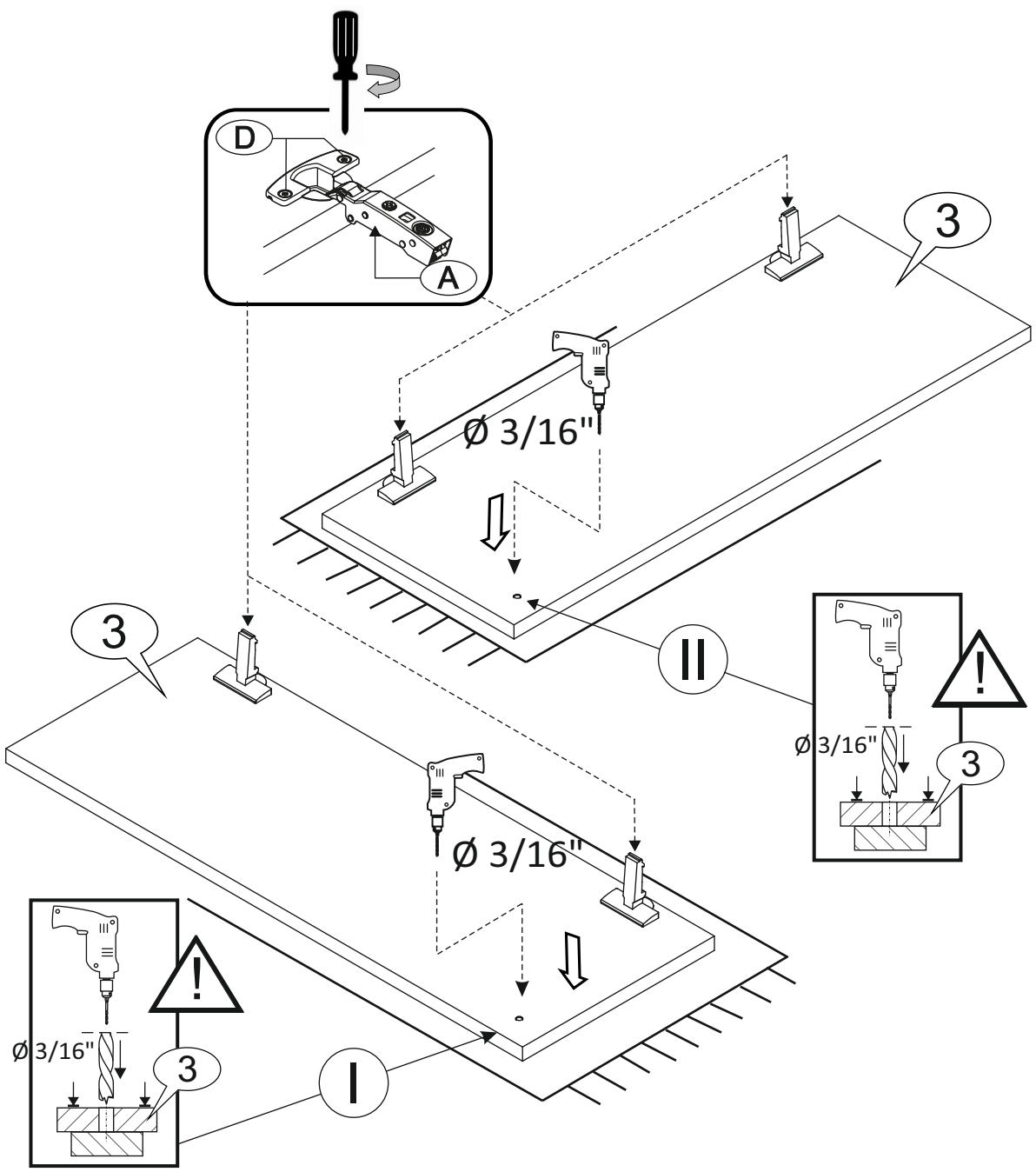
2x

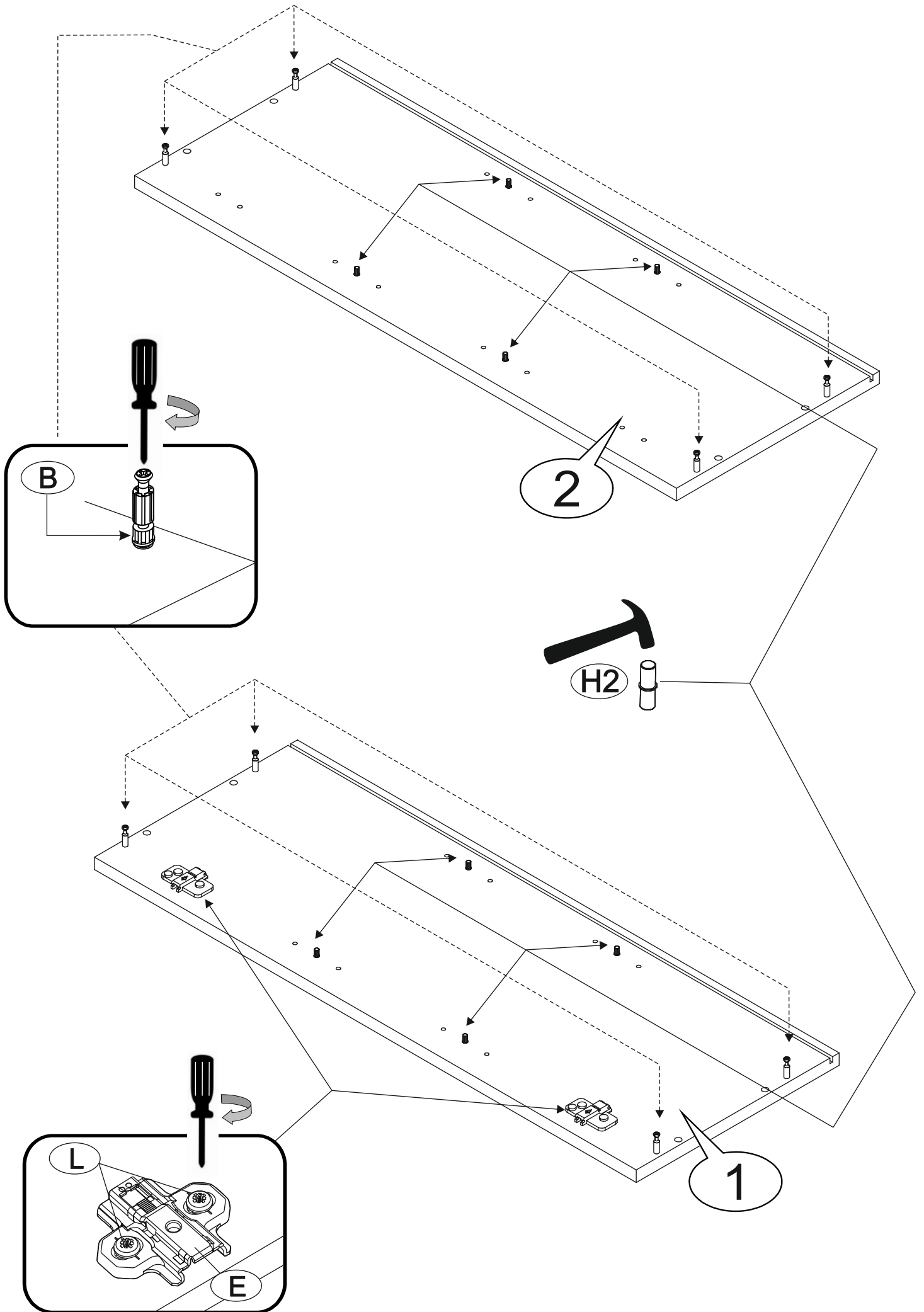


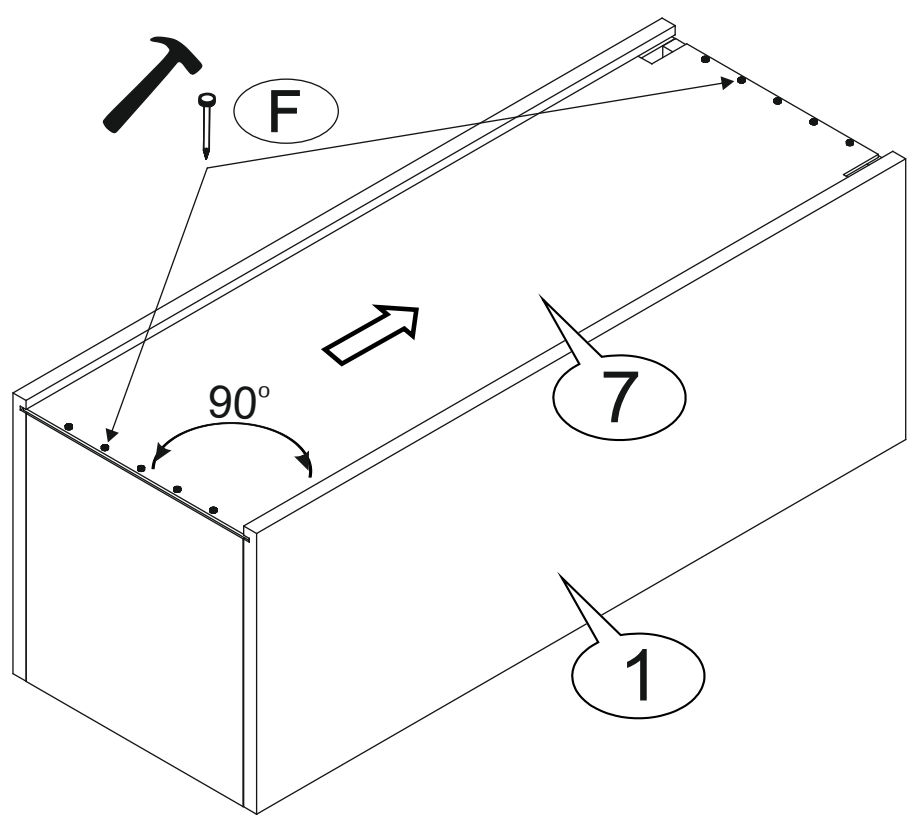
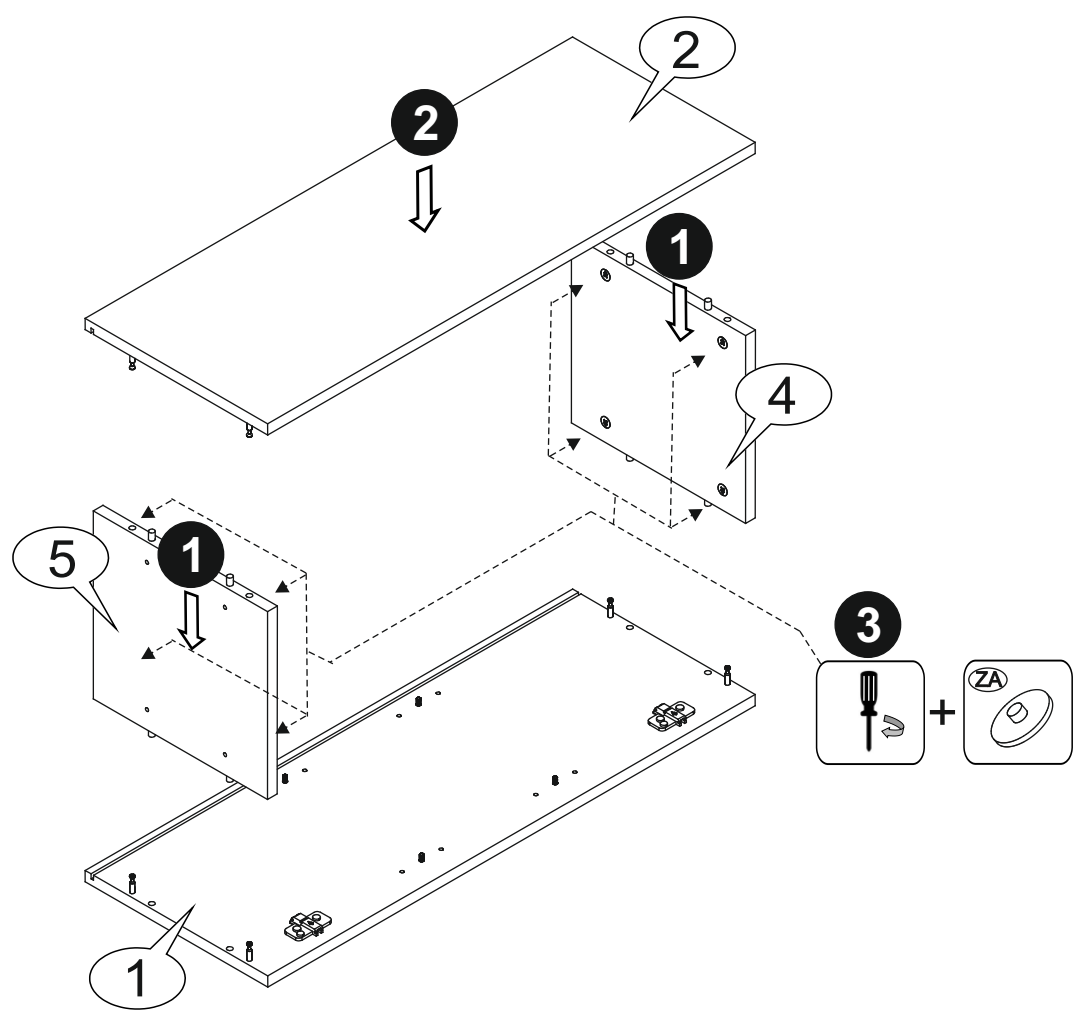
1



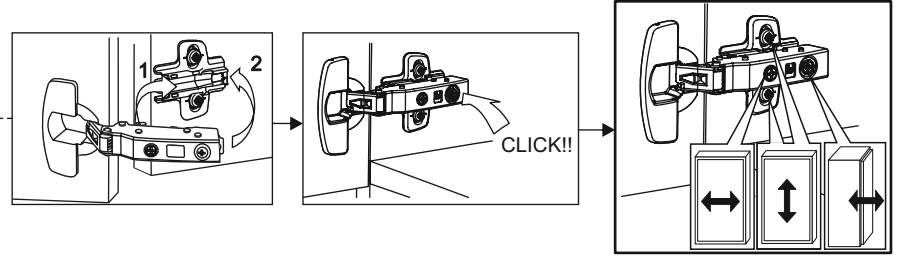
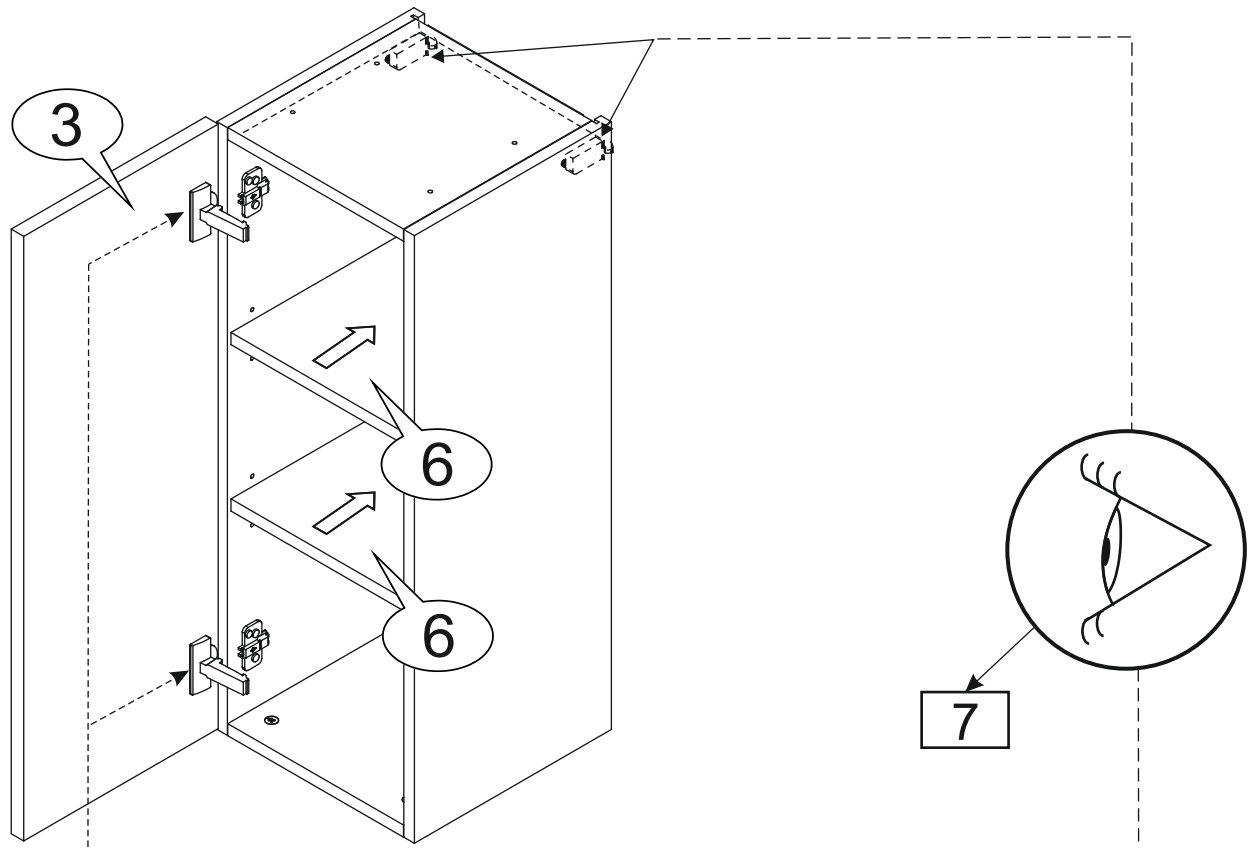
2



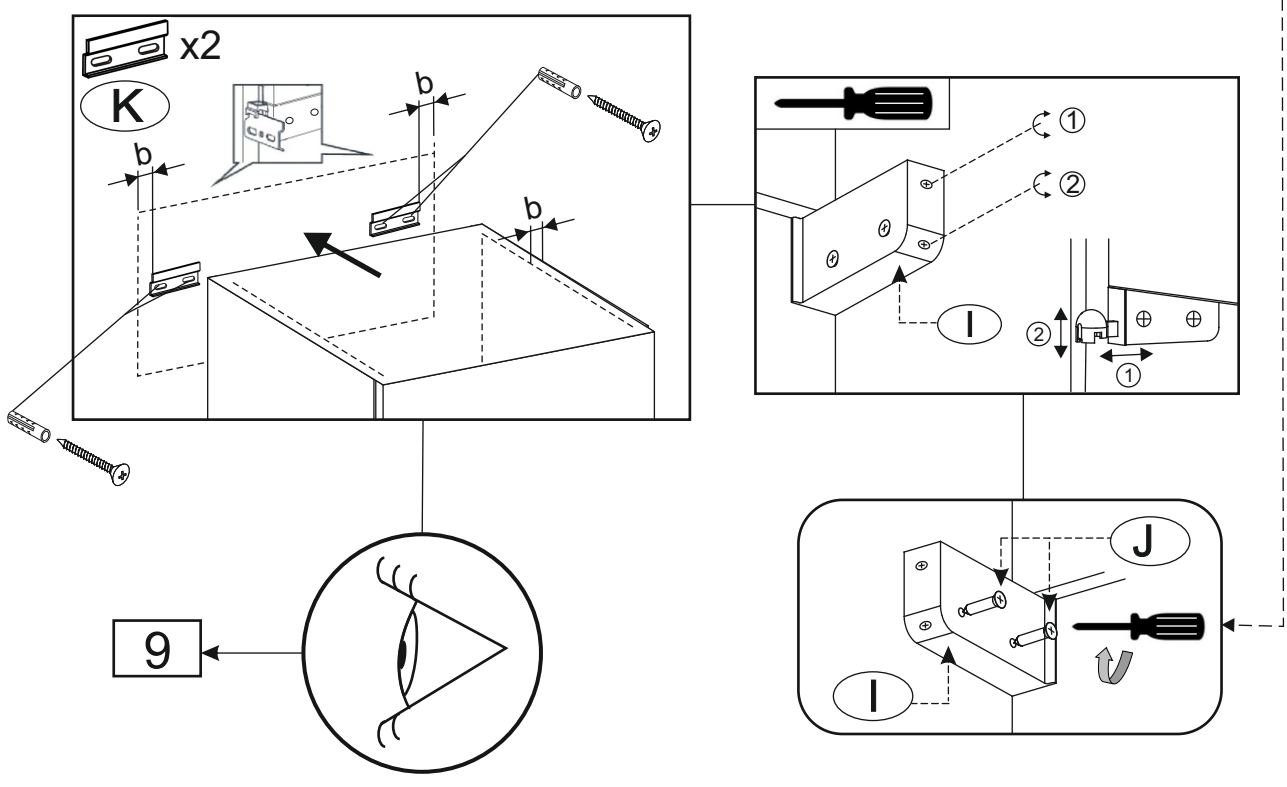




6



7



9

I + II

